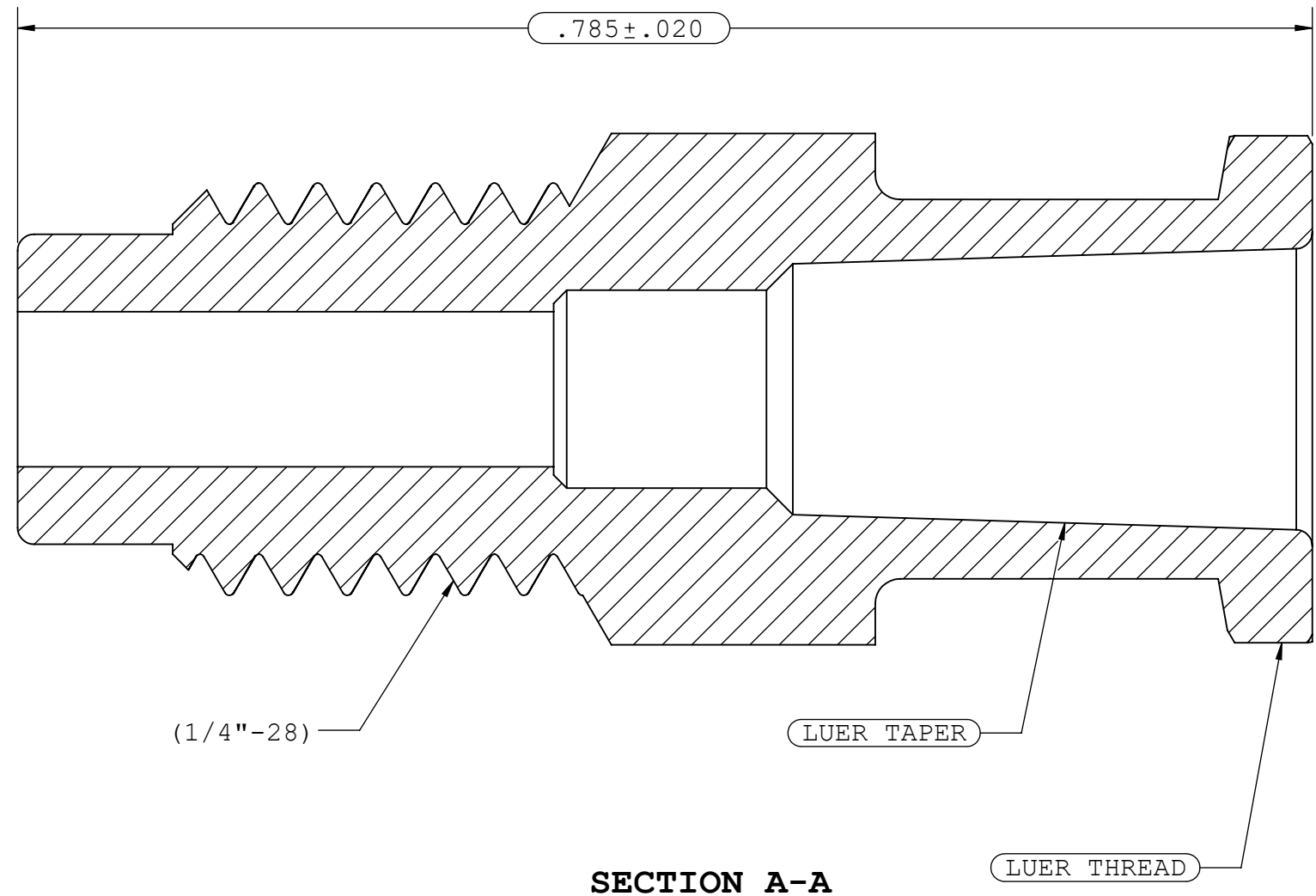
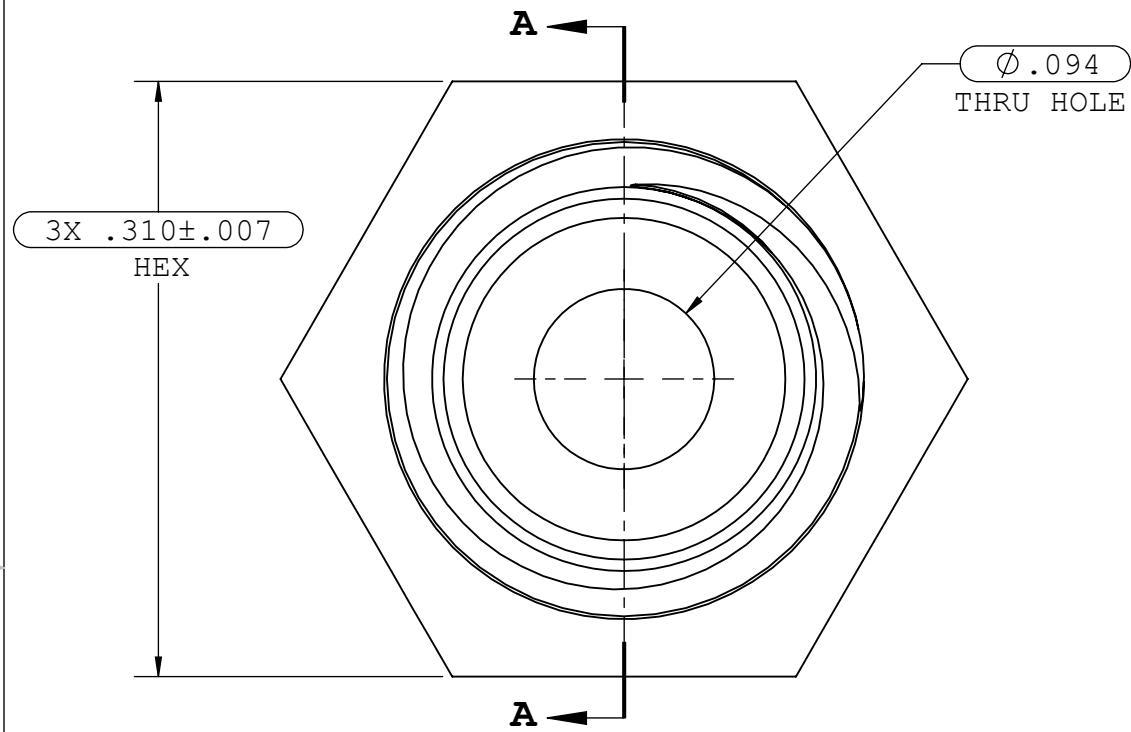


NOTES: 1.FOR ADDITIONAL DETAILS, PLEASE CONTACT VP NEW PRODUCT DEVELOPMENT

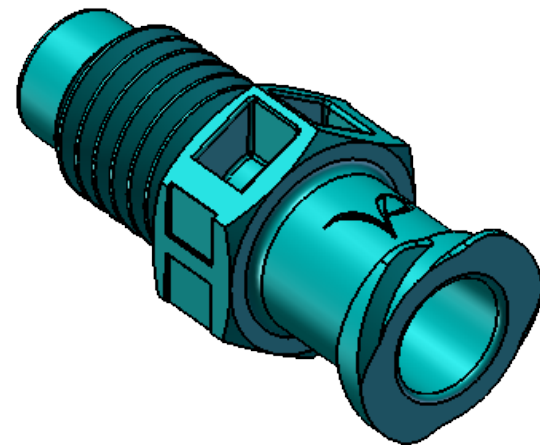
2.DIMENSIONS MARKED \ominus ARE CONTROL DIMENSIONS

3.VERIFY THREAD USING CG118 1/4"-28 FUNCTIONAL THREAD GAUGE

REVISIONS			
REV.	DESCRIPTION	DATE	APPROVED
A	INITIAL RELEASE	06-12-01	
B	CO 018 Drafting Update	07-11-05	Rick C.
C	ECO 148- Re-design Hex w/ coring changes	10-09-09	Rick C.
D	ECO 200	06-01-11	Rick C.
E	ECO 1079196	01-31-20	FJL



SECTION A-A



UNLESS OTHERWISE SPECIFIED DIMENSIONS ARE IN INCHES TOLERANCES ARE:		VALUE PLASTICS, INC			
FRACTIONS	DECIMAL				
$\pm .XX$	$\pm .01$	$\pm 1^\circ$	DESCRIPTION:	Female Luer Thread Style with 5/16" Hex to 1/4-28 Bottom Sealing Thread	
$\pm .XXX$	$\pm .005$		SIZE:	B	
$\pm .XXXX$	$\pm .001$		SCALE:	NTS	
DO NOT SCALE DRAWING		VER:	DWG. NO.	1006881	
DRAWN BY:	DATE:	REV:	SHEET:	1 OF 1	
MICHELE SCHENK	1/31/2020	E	© 2011 VALUE PLASTICS, INC		
ENGINEERING MGR:					
R. Cairns					

FOR REFERENCE ONLY